



alpxos

Where Expertise Meets Convenience.

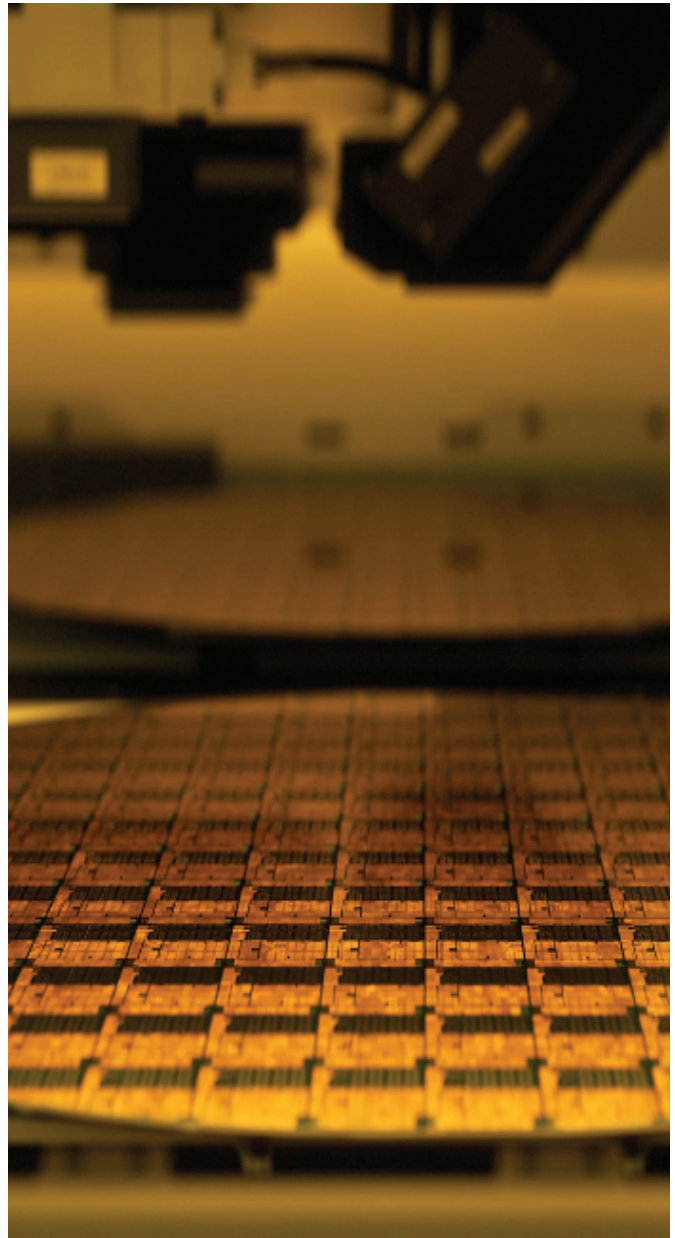


WHO WE ARE

ALPXOS was founded with a strong belief in the power of technology to transform industries. Specialising in Automated Material Handling Systems (AMHS), we are dedicated to revolutionising the semiconductor sector.



Our MISSION is to bring solutions that work, driven by a passion for innovation and a commitment to exceeding customer expectations.



CORE VALUES

✓ PASSION

Sincere Efforts for Sustainable Innovation

We believe that by infusing each project with genuine dedication and creativity, we contribute to building a better future.

✓ PRECISION

Solutions Found in the Details

We meticulously attend to every detail, from design to execution, ensuring that each solution is accurate, efficient, and reliable.

✓ PERFORMANCE

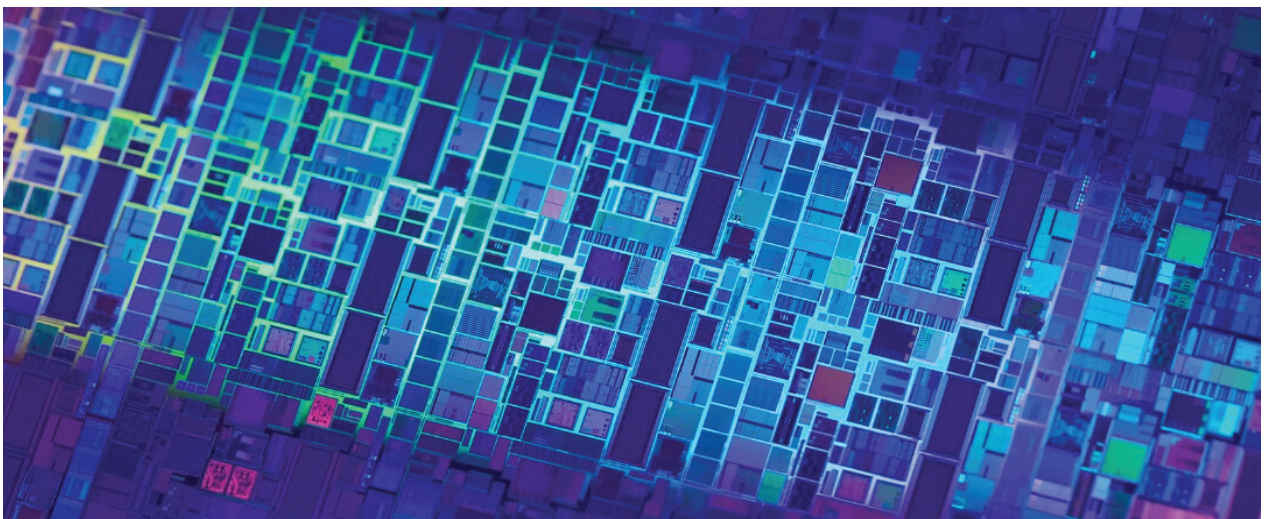
Superiority from Real, Reliable Results

We strive to excel in our work, consistently delivering solutions that exceed expectations and stand the test of time.

✓ PARTNERSHIP

Success for Us, and for Everyone

We want to foster strong relationships built on trust, respect, and shared goals, working together to achieve success for all



WHAT IS AMHS

Automated Material Handling Systems (AMHS) ensure efficient transport of material from one place to another, significantly enhancing efficiency in warehouses and factories.

WHY CHOOSE AMHS?

Lower Cost

Streamlined operations significantly reduces costs associated with labour, manual errors, and inefficient processes.

More Control

Advanced tracking and monitoring capabilities allow for accurate location updates in real-time.

Safer Environment

With AMHS in place, the risk of workplace accidents and injuries from tools and equipment is significantly reduced.

Reduced Contamination

Lesser human intervention and handling helps maintain cleanliness and reduce pollution, ensuring product integrity.

OUR PRODUCTS

Automated Storage & Retrieval System

STOCKER

ALPXOS Stoker is a highly sophisticated ASRS designed for the demanding requirements of any semiconductor environment.

Key Features

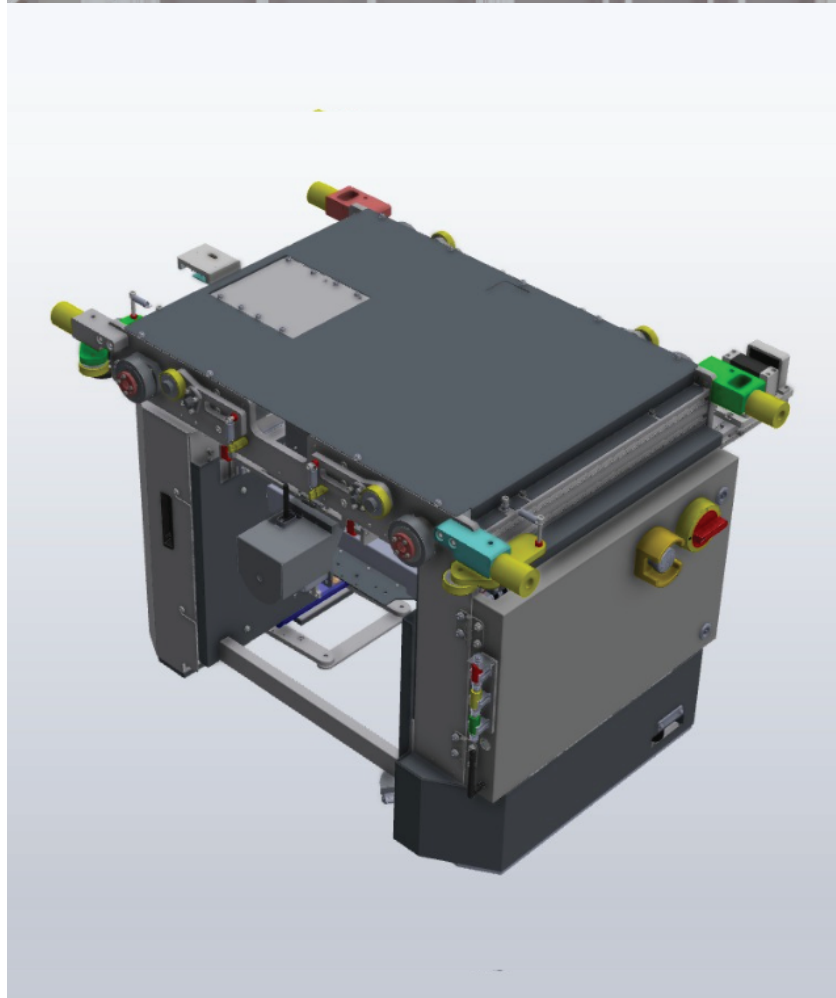
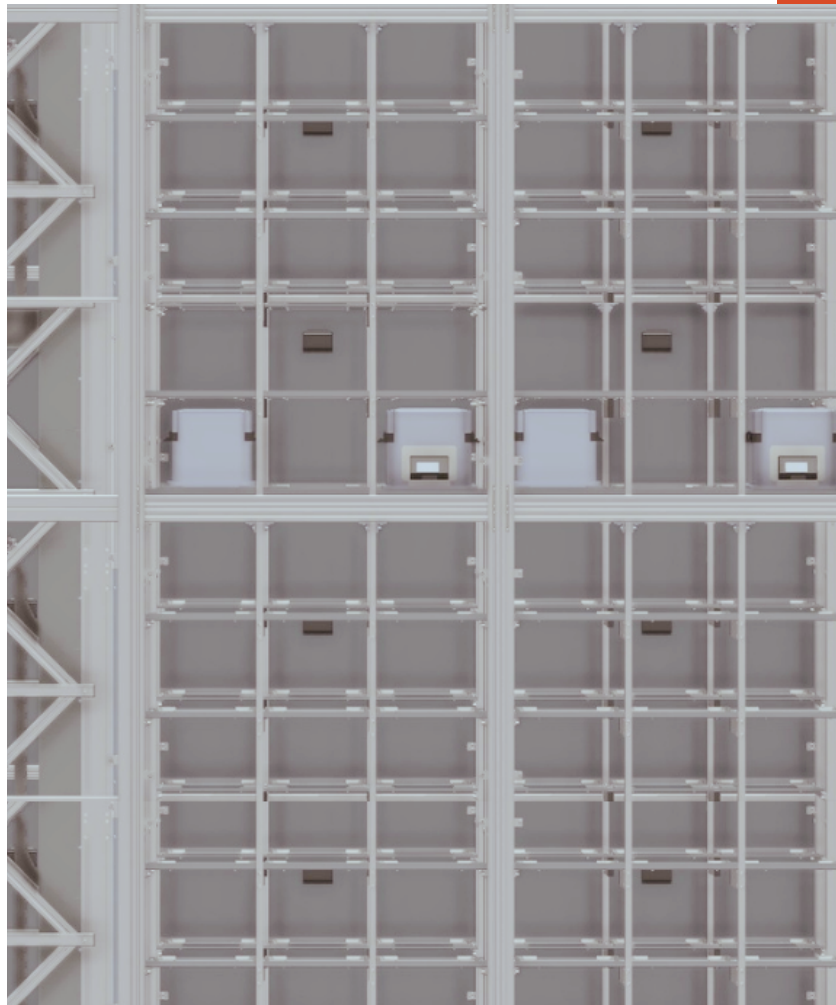
- Configurable design to meet your specific requirements
- Supports FOUP , SMIF , HA200, cassettes, and other custom wafer carriers
- Optimised for safe and efficient wafer storage in 200mm and 300mm fabs
- Maximum uptime
- Low ownership costs
- High storage density

OVERHEAD HOIST TRANSPORT (OHT)

The ALPXOS OHT is a specialised material handling system designed for seamless transportation throughout semiconductor processes in clean factory environments.

Key Features

- Efficiently transports 200mm and 300mm carriers between intrabay and stoker locations.
- Zero footprint design
- Supports FOUP , SMIF , HA200, Cassette and other custom wafer carriers

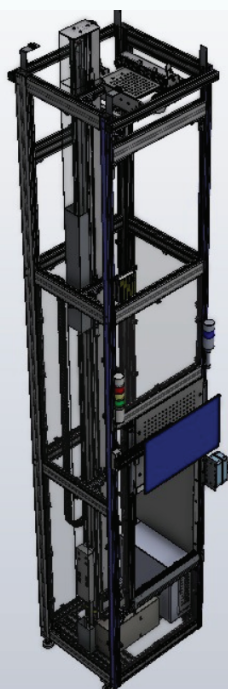
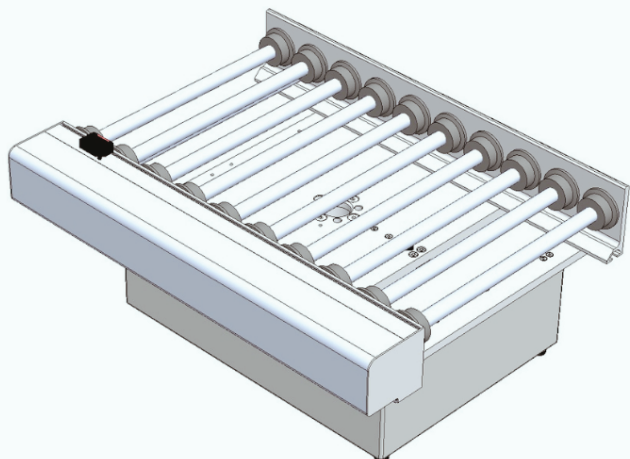
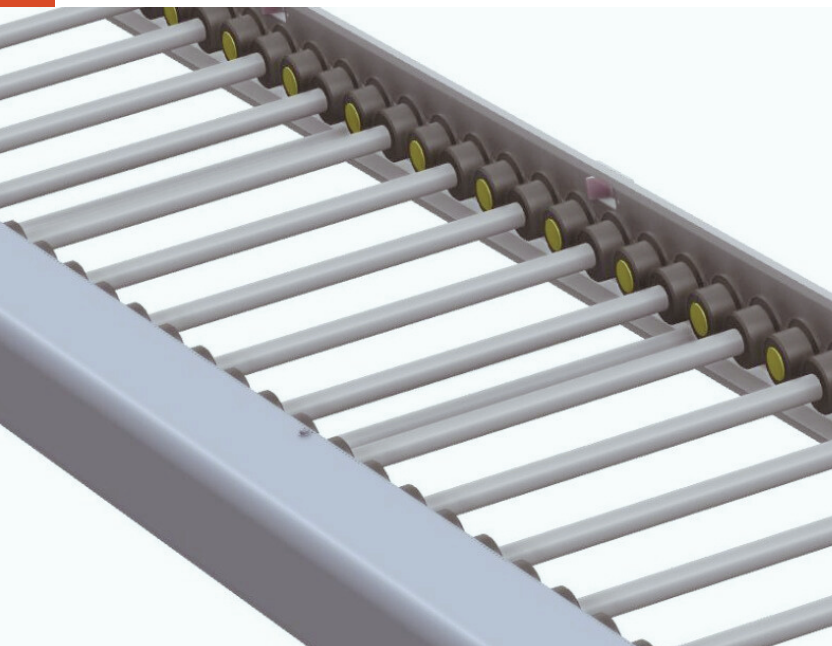


CONVEYOR SYSTEM

ALPXOS conveyor system is a fully automated solution designed for reliable and efficient material transportation within your cleanroom environment.

Key Features

- Supports FOUP, SMIF, HA200, Cassette and other custom wafer carriers
- Flexible combinations of lines, elevators and turntables.
- Zero footprint design
- Low ceiling height compatibility
- Low ownership costs
- Minimal maintenance required



TURNTABLE

ELEVATOR

WHY CHOOSE US?

At ALPXOS, we are more than just a provider of AMHS solutions; we are committed to understand and address the **REAL NEEDS** of semiconductor manufacturers.

01 AMHS Experts at Your Service

Our knowledgeable experts will consult and guide you through every step of the process.

02 Your Needs, Our Priority

We customise our solutions precisely to your requirements, including cost considerations.

03 Adaptability and Versatility

Our processes can adapt and thrive in any manufacturing setting, even in low ceiling fabs.

04 You're Not Just a 'Client'

As our partner, you will receive help and support from our team whenever you need them.

“

Innovation isn't just a concept -
it's ingrained in everything we do.

Contact Us



letstalk@alpxos.com



www.alpxos.com



101c, 3114, Bayan Lepas Free Industrial Zone
Phase 3, 11900 Bayan Lepas, Penang, MALAYSIA